



Illustrated Parts List

**Pressure Washer / Lavadora de Presión
Model / Modelo 020292-03**



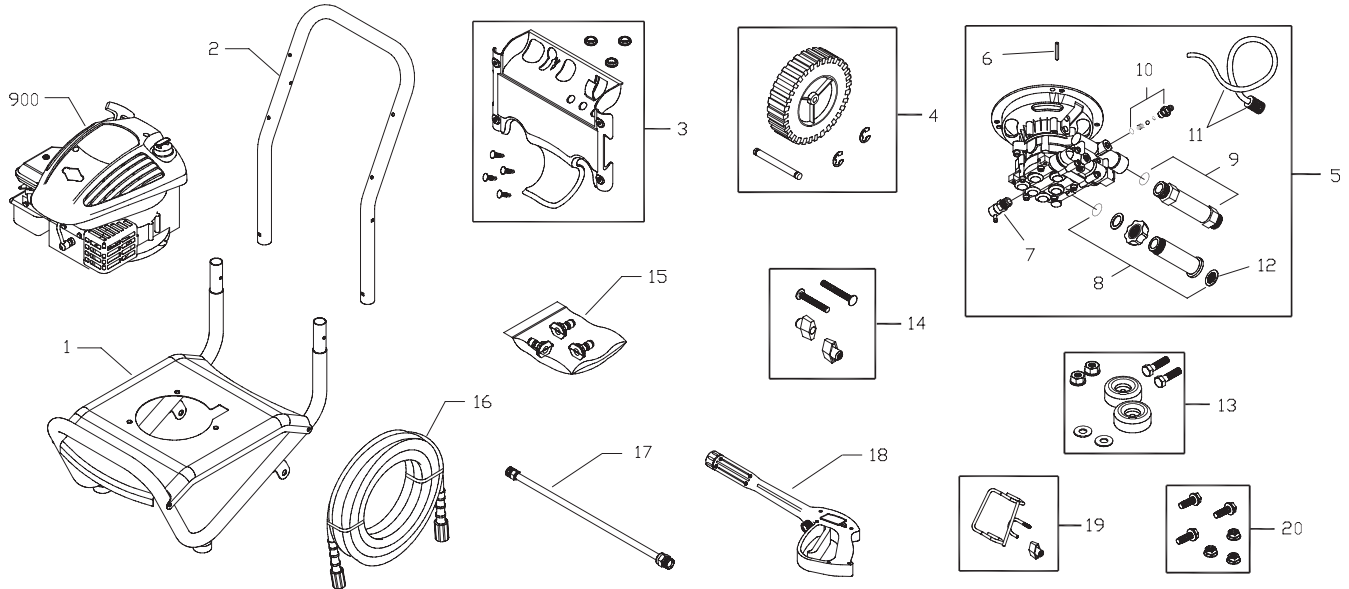
**Questions? Preguntas?
Helpline - 1-888-611-6708 M-F 8-5 CT**

Troy-Bilt® is a registered trademark of MTD Products Inc and is used under license to Briggs & Stratton Power Products.
Troy-Bilt® es una marca registrada de MTD y se usa abajo licencia a Briggs & Stratton Power Products

**Briggs & Stratton Power Products Group, LLC
Jefferson, Wisconsin, U.S.A.**

Manual No. 205875B Revision A (06/23/2008)

EXPLODED VIEW AND PARTS LIST — MAIN UNIT



Item	Part #	Description	Item	Part #	Description
1	201560GS	BASE, w/Mounts	16	196006GS	HOSE
2	P199110GS	HANDLE	17	200595GS	EXTENSION
3	201370GS	KIT, Billboard w/Decals & Clips	18	204627GS	GUN
	195964GS	Clips, Tree	19	201661GS	KIT, Gun Holder
	30809GS	Grommet	20	192525GS	KIT, Pump Mounting Hardware
4	200730GS	KIT, Wheel	900	§	ENGINE
	192050GS	E-Ring			
	203873GS	Axle			
5	197300GS	ASSY, Pump			
6	23139GS	Key	Parts Not Illustrated		
7	194298GS	Valve, Thermal Relief	205875GS		MANUAL, Operator's
8	190632GS	Kit, Water Inlet	194256GS		KIT, Tag/Warning, Service
9	190634GS	Kit, Outlet	794693		DECAL, Warning
10	190593GS	Kit, Chemical Injection	793973		ASSY, Shroud/Label
11	189971GS	Kit, Chemical Hose	201973GS		DECAL, Shroud
12	B2384GS	Filter, Inlet	BB3061BGS		OIL BOTTLE
13	192310GS	KIT, Vibration Mount	87815GS		GOGGLES
14	B2203GS	KIT, Handle Connector			
15	201324GS	KIT, Nozzle	Optional Accessories		
	198841GS	Nozzle, Soap	6048		KIT, O-Ring
	195983AEGS	Nozzle, QC, Red	6039		PUMP SAVER
	195983QGS	Nozzle, QC, Green			

§ - Contact Engine Manufacturer

Copyright © 2008 Briggs & Stratton Power Products Group, LLC. All rights reserved. No part of this material may be reproduced or transmitted in any form by any means without the express written permission of Briggs & Stratton Power Products Group, LLC.